



Brand of NTN corporation

Technical data

SUCPPL204FG1

Bearing units



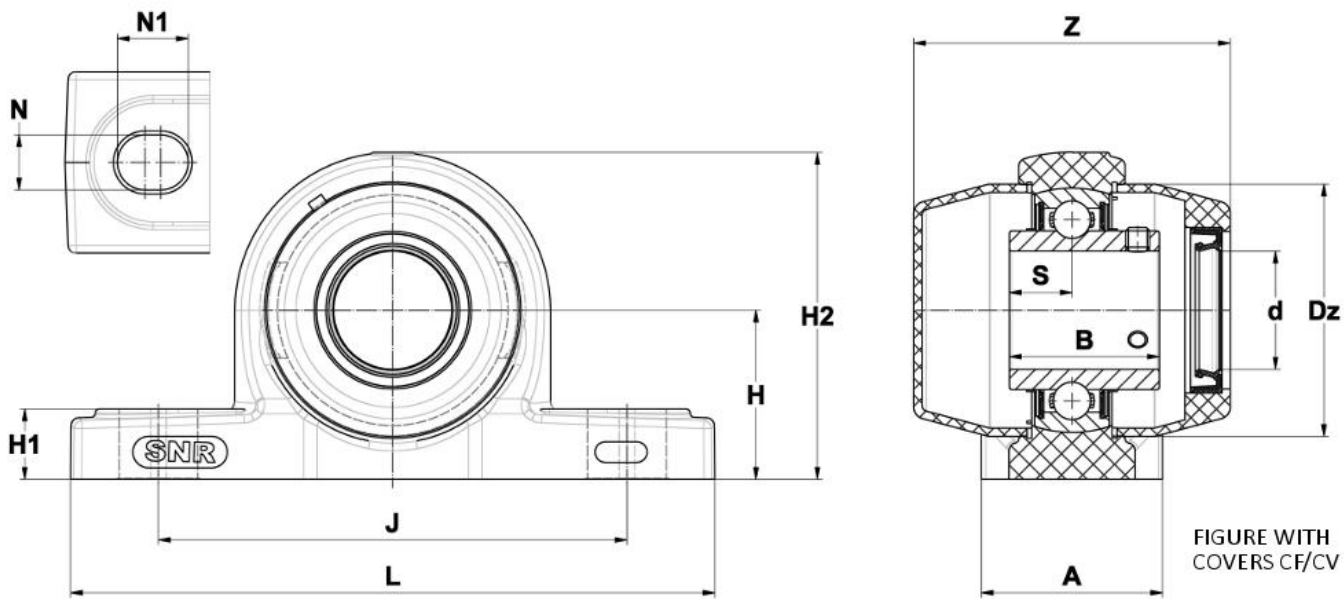
SENTINEL Series: Self-aligning bearing unit, thermoplastic pillow block housing, stainless steel insert bearing with LUBSOLID® food solid lubrication, socket set screws.

The protective covers must be ordered separately. All bearings are grooved to accommodate the protective covers.

KIT CONTENT

SUC204FG1, WPPL204

VISUAL (S)



PRODUCT DEFINITION

Brand	SNR
A - Housing width	38 mm
B - Width of Inner Ring	31 mm
d - Shaft diameter	20 mm



NTN Europe

1 rue des Usines · BP 2017 · 74010 Annecy Cedex · France · Tel. +33 (0)4 50 65 30 00
 S.A. au capital de 322 639 919 € · RCS ANNECY B 325 821 072 · Id. Fiscale : FR 48 325 821 072
 SIRET 325 821 072 00015 · Code APE 2815 Z · Code NACE 28.15

PRODUCT DEFINITION

H - Distance mounting base to centerline spheric. seating diam.	33,3 mm
H1 - Housing foot height	14,2 mm
H2 - Housing height	65 mm
J - Mounting holes distance	95 mm
L - Housing length	127 mm
N - Mounting hole dimension	11 mm
N1 - Mounting hole length	14 mm
S - Distance front side/bearing centre	12,7 mm

PRODUCT PERFORMANCE

C - Dynamic load rating	12,8 kN
C0 - Static load rating	6,6 kN
Operating temperature min.	-10 °C
Operating temperature max.	80 °C

OTHER FEATURES

Mass	0,27 kg
Recommended tightening torque for set screw	3.9 N-m

